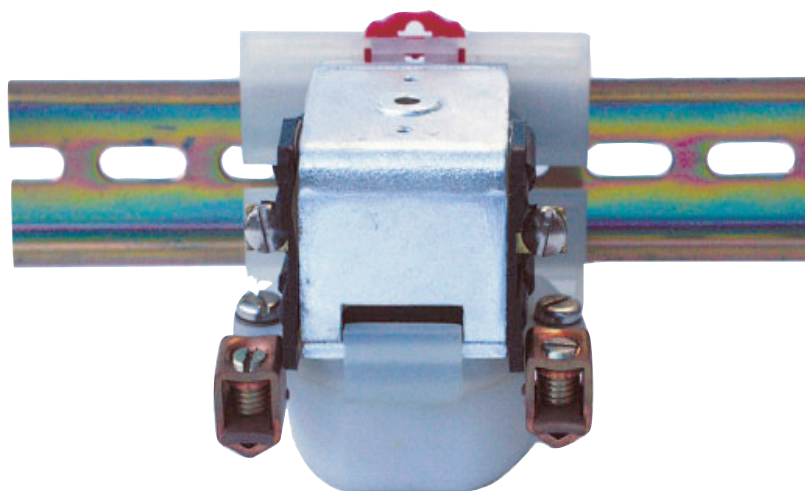
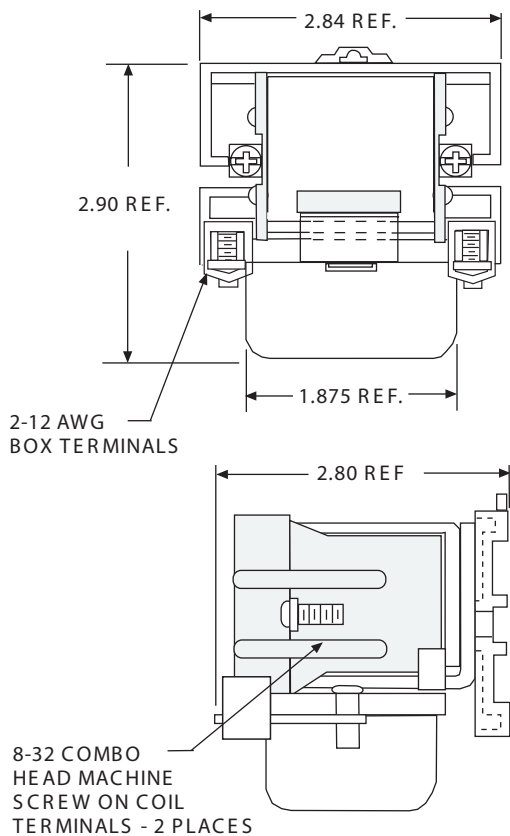


CLASS B101, IS A DC SOLENOID-ACTUATED, HEAVY DUTY CONTACTOR. EACH CONTACTOR HAS A SINGLE POLE, DOUBLE-MAKE OR DOUBLE-BREAK CONTACT. DIN-RAIL MOUNTING IS STANDARD. THE B101 IS SUITABLE FOR POWER APPLICATIONS IN TELECOMMUNICATIONS, ELEVATOR AND RAIL MASS TRANSIT, AS WELL AS OTHER INDUSTRIES.

SPST-N.O.-D.M. OR
SPST-N.C.-D.B.,
100 AMPS

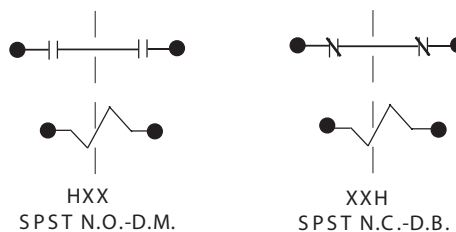
OUTLINE DIMENSIONS
DIMENSIONS SHOWN IN INCHES & (MILLIMETERS).



STRUTHERS-DUNN
ORDERING CODE FOR RELAYS

CLASS: _____	B101	HXX	-28D
100 AMP, 1 POLE			
CONTACT ARRANGEMENTS: _____			
HXX 1 POLE N.O.-D.M.			
XXH 1 POLE N.C.-D.B.			
COIL VOLTAGE: _____			
DC: 12, 28 & 48 ADD "D" FOR DC COILS			
AC: 120, 240 ADD "A" FOR AC COILS			
OPTIONS (CONSULT FACTORY)			
AC COIL INPUT VOLTAGES			
NON STANDARD DC COIL VOLTAGES			

WIRING DIAGRAM



**SPST-N.O.-D.M. OR
SPST-N.C.-D.B.,
100 AMPS**

GENERAL SPECIFICATION (@ 25⁰C)

COIL

Pull-in Voltage: 80% of nominal voltage or less for DC coils,
Dropout Voltage: 10% of nominal voltage or more @ 25⁰ C
Max. allowed voltage: ± 110%
Coil Resistance: ± 10% @ 25⁰ C
Duty: Continuous

CONTACTS

Contact Material: Silver Alloy
Contact Rating: 100 amps @ 120/240 VAC
100 amps @ 28 VDC

TIMING

Operate Time: 60 mS max. @ nominal voltage.
Release Time: 30 mS max. @ nominal voltage.

DIELECTRIC STRENGTH

All Mutually Insulated Points: 1500V rms bwtween all mutually
Insulated current carrying parts and those
parts to ground.

Insulation Resistance: □ 1000 Megohms minimum @ 500 VDC

TEMPERATURE

Temperature Rating: -45⁰ C to +65⁰ C @ rated operation.

LIFE EXPECTANCY

Mechanical: 1,000,000 operations @ no load
Electrical: 100,000 operations @ rated load.

TERMINALS

Coil Terminals: #6-32
Load Terminals: AWG 2-12 pressure wire connector

MISCELLANEOUS

Mounting: Panel or 35 mm DIN-rail
Weight: 370 Grams

AC CONTACT RATINGS

VOLTAGE AC (60HZ)	RESISTIVE LOADS (AMPS)
	Series B101
120	100
240	100
DC CONTACT RATINGS	
VOLTAGE DC	RESISTIVE LOADS (AMPS)
	Series B101
30	100

DC COIL SPECIFICATION @ 25⁰ C

Nominal Voltage (VDC)	B101 (10.5W Max.)
	Resistance Ohms +/-10%
12	17
28	75
48	290